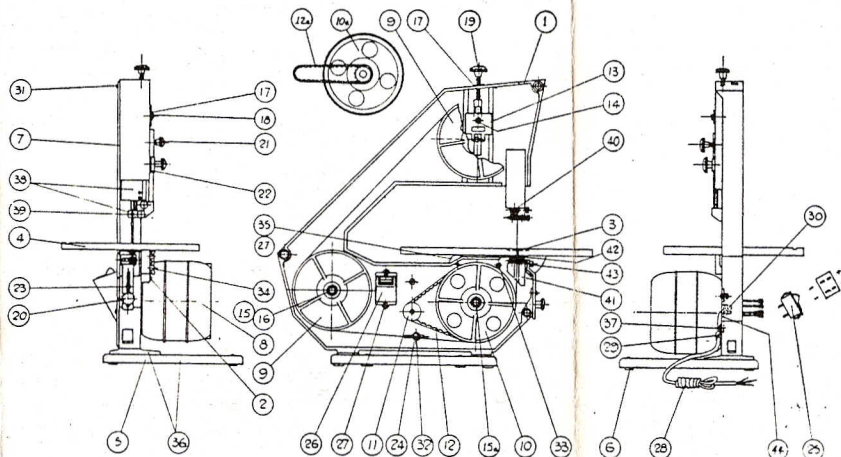


BK3 SPARE PARTS LIST



Key No.	Part No.	Description
1	019910	Frame
2	014811	Pointer Screw
3	010206	Centre Plate
4	010811	Table c/w Centre Plate
5	019738	Base Plate c/w
6	010112	Base edge finishing strip
7	019912	Cover Plate
8	019732	Motor (220/240V 50Hz)
	019756	Motor (100V 50Hz)
	019746	Motor (100V 60Hz)
	019745	Motor (110V 50Hz)
9	010704	Wheel
10	010802	Drive Wheel (Low Speed)
10a	019817	Drive Wheel (High Speed)

Key No.	Part No.	Description
11	014823	Timing Pulley & Rollpin
12	019804	Timing Belt, 204 XL (Low Speed)
12a	019805	Timing Belt, 120 XL (High Speed)
13	011100	Top Wheel Casting Assy
14	011106	Securing Bolt
15	014814	Wheel Shaft (2)
15a	014824	Wheel Shaft & Wheel Shaft Screw
16	014815	Circlip (2)
17	011110	Washer
18	011111	Lock Nut
19	011200	Tension Knob Assy
20	011211	Securing Knob
21	011300	Tracking Knob Assy
22	019913	Blade Shield Clamp
23	012000	Bolt
24	012206	Lock Washer
25	012400	Switch
26	012500	Switchbox
27	012600	Screws (3)
28	012801	Cable
29	250150	Cable Clamp
30	013100	Terminal Block
31	010105	Quarter turn cover plate fasteners (3)
32	013701	Motor Screws
33	013900	Trunion Stud (4)
34	014100	Wing Nut (2)
35	014300	Cam
36	019911	Frame & Base complete
37	250151	Cable Clamp Screw
38	019500	Upper Blade Guide Assy
39	700073	Guide Blocks (Set 4) + Centre Plate
40	019620	Bearing Shaft Bearing) Circlip)
41	019600	Lower Blade Guide Assy
42	019621	Roller) Roll Pin)
43	019606	Lock Nut
44	019623	Insulating Pad